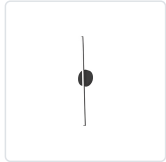


CHUTE WS14935-UNV

WALL

PROJECT



WS14935-BK-UNV

Black



WS14935-WH-UNV

White

SPECIFICATION DETAILS

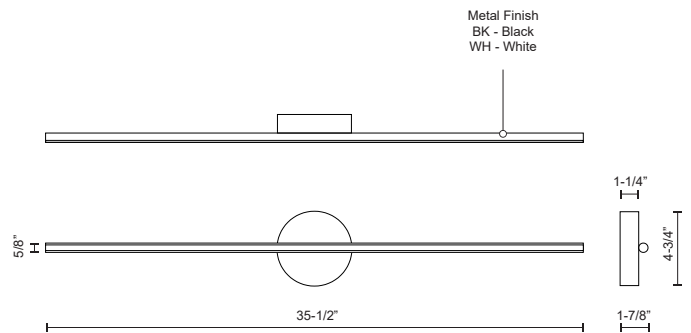
| | |
|-------------------------------|---|
| Fixture Dimensions | W35-1/2" x H4-3/4" x E1-7/8" |
| Light Source | LED with DC Driver |
| Wattage | 15W |
| Total Lumens | 1355lm |
| Delivered Lumens | BK-784lm; WH-958lm; |
| Voltage | 120-277V |
| Color Temperature | 3000K |
| CRI (Ra) | 90CRI |
| Optional Color Temps | 2700K - 5000K Available, Minimum Order Quantities Apply |
| LED Rated Life | 50,000 hours |
| Dimming | 100% - 10%, TRIAC or ELV Dimmer (Not Included) |
| Diffuser Details | White Acrylic Diffuser |
| ADA Compliant | Yes |
| Location | Dry |
| Illumination Direction | Fontlight Illumination |
| Mounting Style | All Orientation; Wall; |
| CEC Title 24 JA8 | Yes, JA8-2022 |
| Canopy Dimensions | D4-3/4" x E1-1/4" |
| Paint Finish | BK02; WH02; |
| Height From Center | 2-3/8" |
| Material | Aluminum + Polymeric Material |

* For custom options, consult factory for details.

* For warranty information, please visit www.kuzcolighting.com/warranty

DESCRIPTION

Extruded aluminum cylinder with welded capped ends. Circular wall mount. Finely textured powder-coat finish. Rounded opal silicon diffuser. Outward emitting light. Custom options available.



KUZCO

CANADA: 19054 28TH AVENUE - SURREY, BC V3Z 6M3

USA: 3035 E. LONE MOUNTAIN ROAD - LAS VEGAS, NV 89081

WWW.KUZCOLIGHTING.COM

© 2019 KUZCO LIGHTING. ALL RIGHTS RESERVED.

COMMENT

